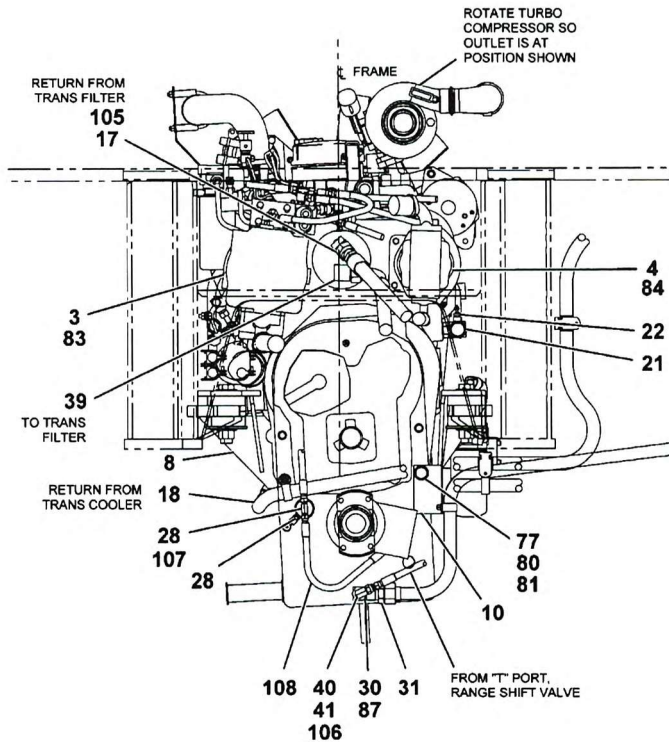
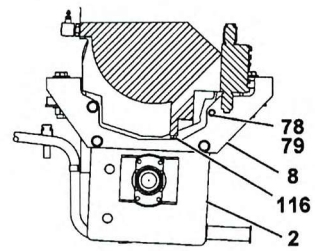


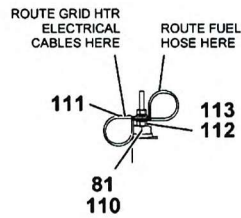
Manitowoc Crane Group



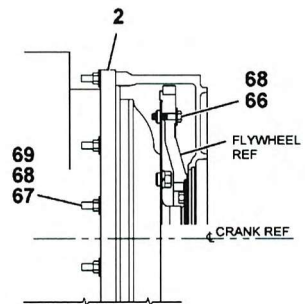
FRONT VIEW OF ENGINE BAY



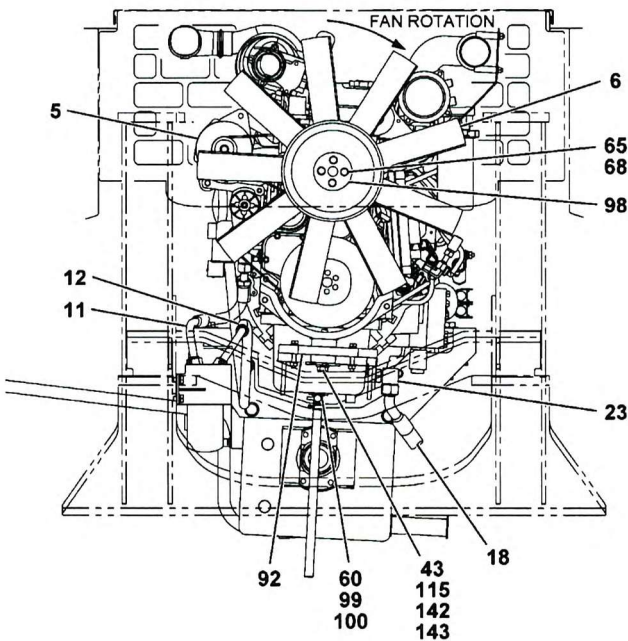
VIEW J
TRANS MOUNT BRACKET



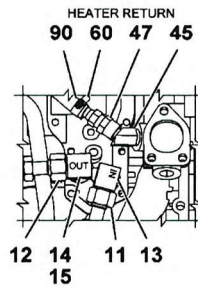
DETAIL K
P-CLAMP



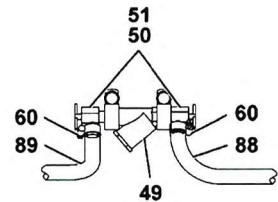
DETAIL D
ENGINE/TRANSMISSION CONNECTION



REAR VIEW OF CRANE

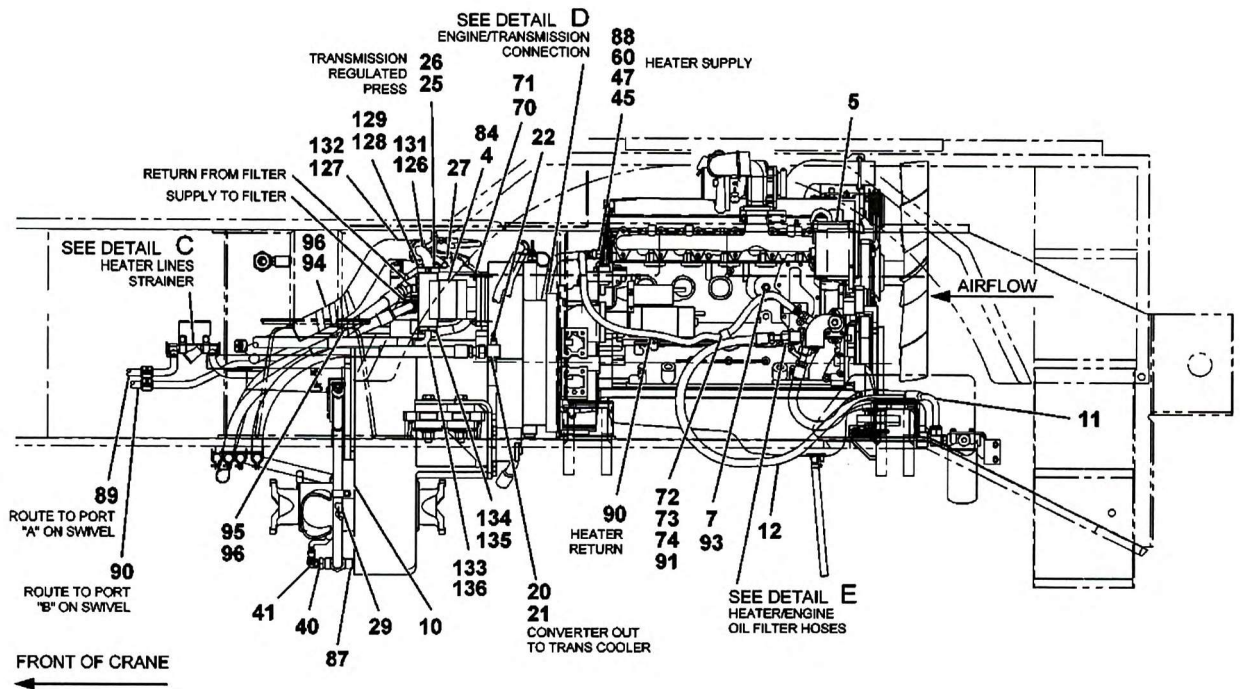


DETAIL E
HEATER/ENGINE OIL FILTER HOSES

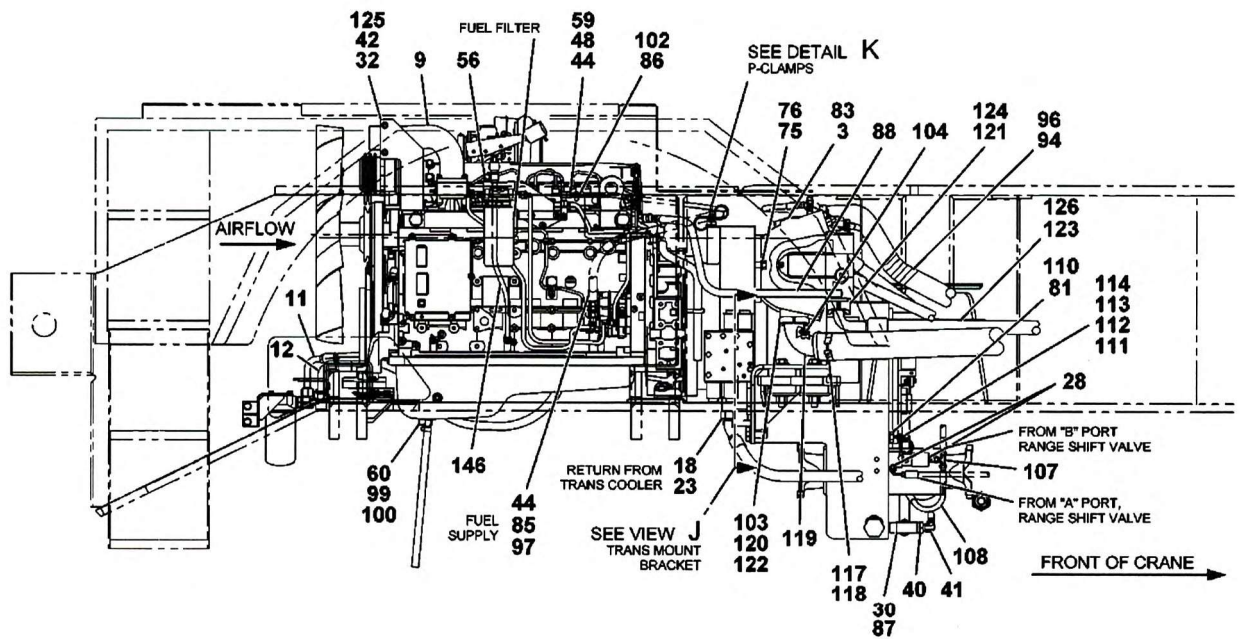


DETAIL C
HEATER LINES STRAINER

Manitowoc Crane Group



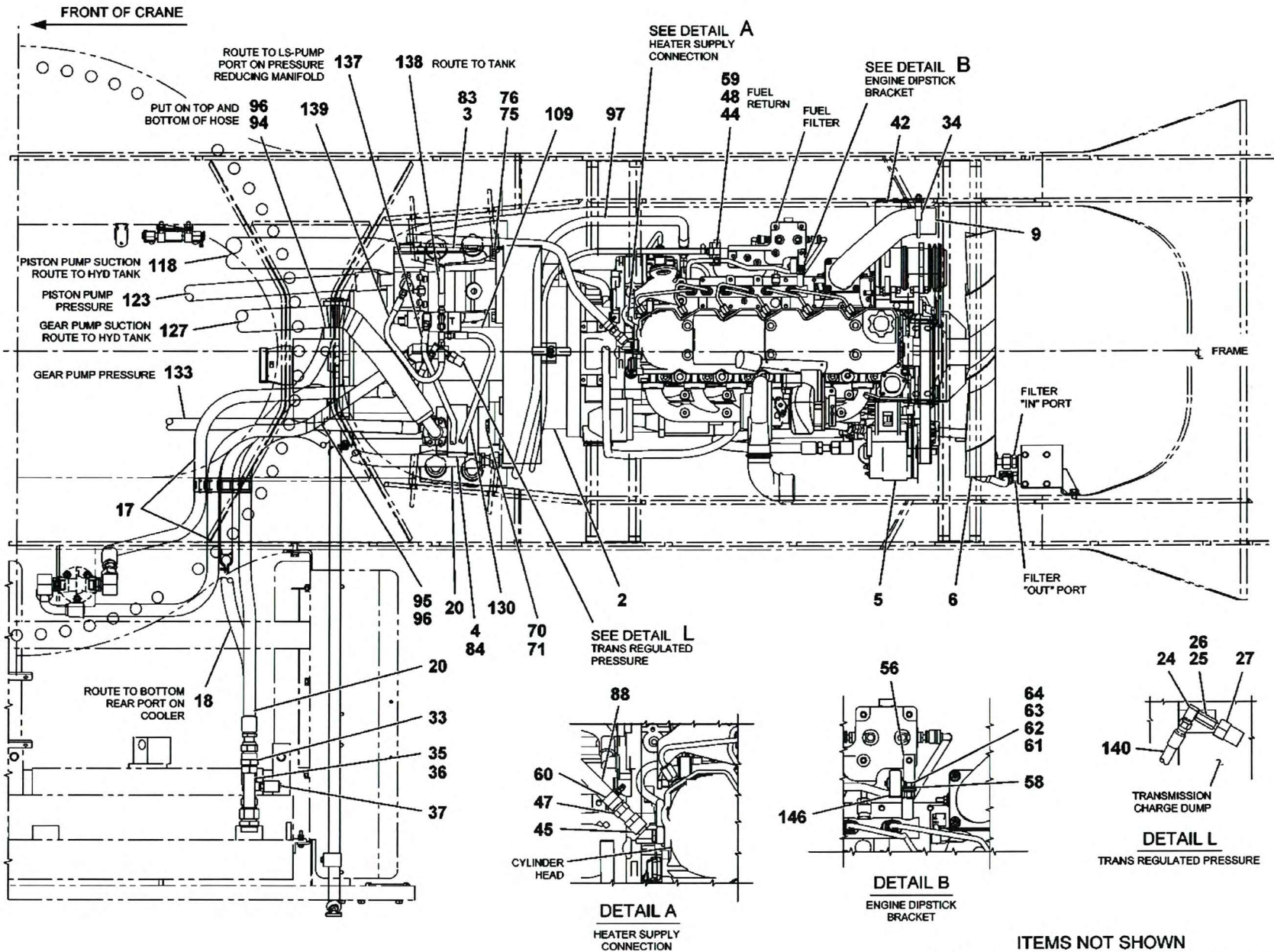
LEFT SIDE OF CRANE



RIGHT SIDE OF CRANE

2189810090

(SHEET 2 OF 3)



ITEMS NOT SHOWN
 NBR. 82, 144, 145, 300, 301, 302, 303, 304